
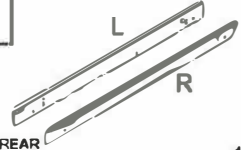
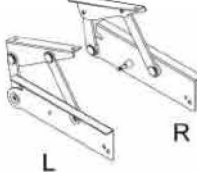





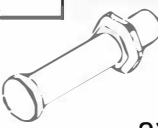

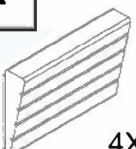




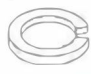


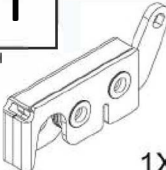
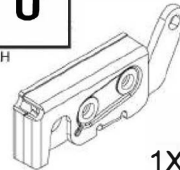





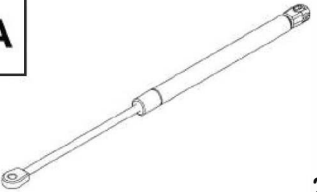

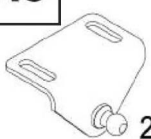
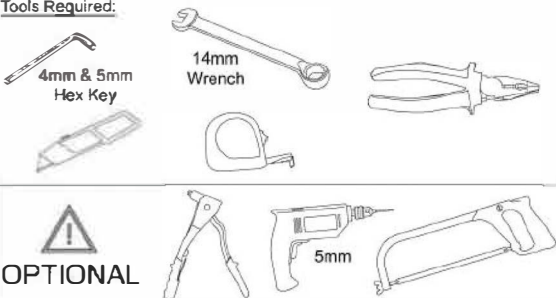


UpStoneEvolve

INSTALLATION INSTRUCTIONS EVO700 + EVO750

ISUZU DMAX 2012+ CREW ET SPACE CAB

A  1X	B  1X	C  1X	D  2X		
E  4X	F M8x25mm  4X	G M8 x16 Stainless Steel Washer  6X	H M8 Stainless Steel Spring Washer  2X	I  2X	J  2X
K  4X	L  2X	M M8 Nylock  4X	N M6x18  12X	O M6x13mm Zinc  12X	P M6x10mm  8X
R M8 x16 Zinc Washer  4X	S  2X	T RH  1X	U LH  1X	V M5 Cable Boll, Washer & Dome Nut  2X	
W  4X	X  2X	Y  2X	Z  2X	AA  2X	
AB  1X	AC  2X	<p>Note 1: If at any stage of installation you find your sportlid to be an unacceptable fit please contact the manufacturer before continuing.</p> <p>Note 2: If required, use Under Rail Bed Liner only. NOT FOR USE WITH OVER RAIL BED LINER!</p> <p>Tools Required:</p>  <p>OPTIONAL</p>			
Fitting Kit Number KIT700 -750-RLBF	Product Upstone Lid	Revision 1	Date 10-09-2013	Page 1 of 7	

1

Remove ladder rack

Note 2: If required, use Proform Under Rail Bed Liner only. Not for use with Over Rail Bed Liner.

Follow guide lines to trim liner in front corners.

2

$\alpha 1$
 $\alpha 2$
 $\alpha 3$
 $\alpha 4$

T 4X

Vehicle Model	α
Isuzu D-Max Double & Extra Cab 2012 ATFS, ATFR	N/A - Do Not Fit

3

B

T 4X

110mm

70mm

2X

4

B

L

R

2X

L

B

K

H

M

M

L

FINGER TIGHTEN ONLY

5

Place front of side mounting brackets back from inside corners of the cargo box - See table for measurement

β - See Table

ϕ - See Table for hole selection

MAX TORQUE SETTING = 8.5Nm OR 6.3 Ft/Pounds

Vehicle Model	β	δ	ϕ
Isuzu D-Max Double & Extra Cab 2012 ATFS, ATFR	69mm	1	4

$\delta 1 \circ$

$\phi 1 \circ$

$\phi 2 \circ$

$\phi 3 \circ$

$\phi 4 \circ$

$\phi 5 \circ$

$\phi 6 \circ$

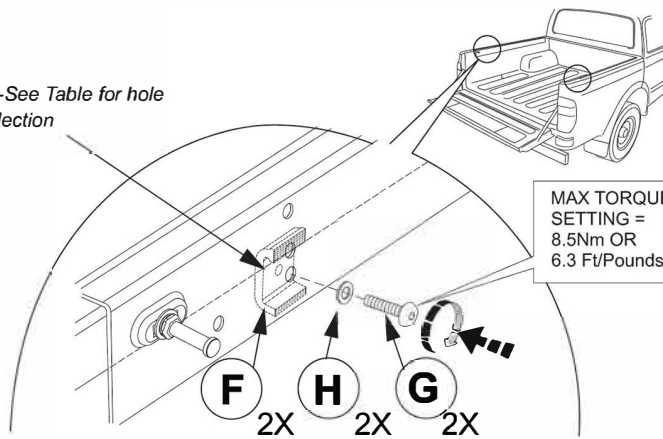
$\phi 7 \circ$

Fitting Kit Number	Product	Revision	Date	Page
KIT700-750RLBF	Upstone Lid	1		2 of 7

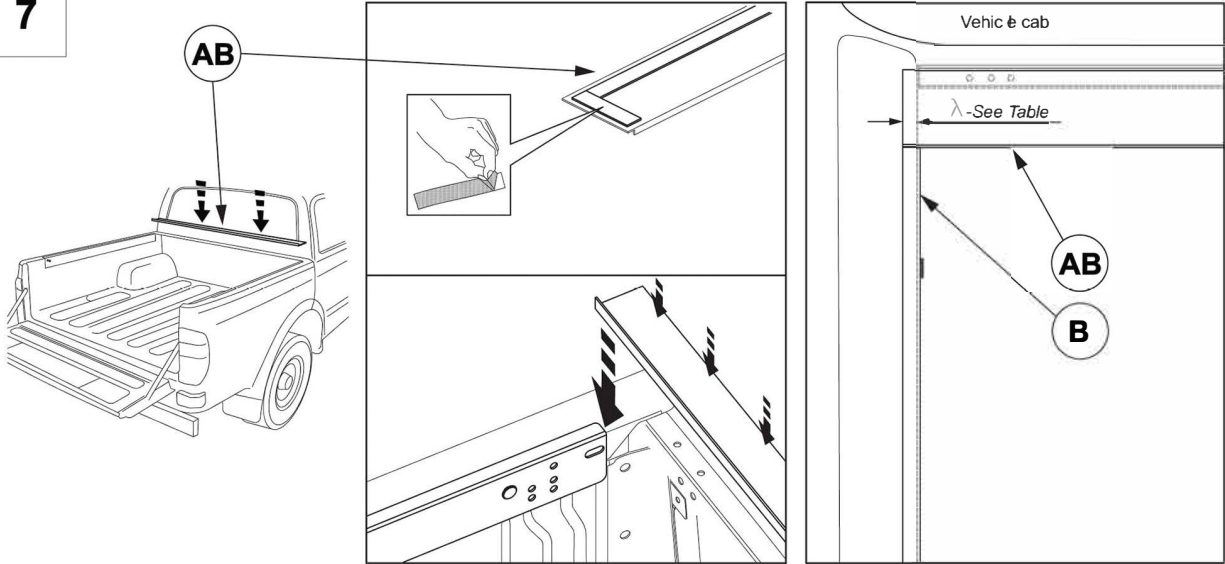
6

∅ - See Table for hole selection


MAX TORQUE
SETTING =
8.5Nm OR
6.3 Ft/Pounds



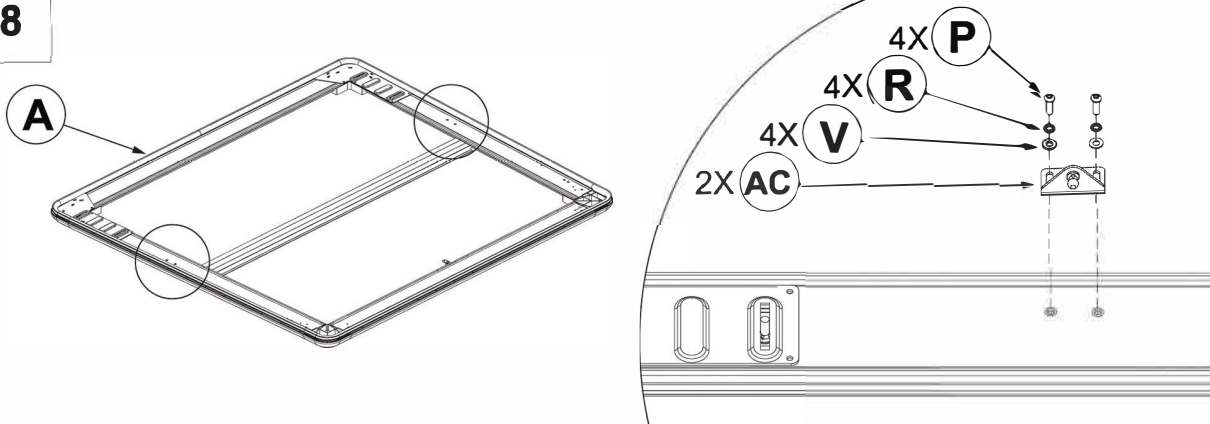
7



Vehicle Model	λ
Isuzu D-Max Double & Extra Cab 2012 ATFS, ATFR	28mm

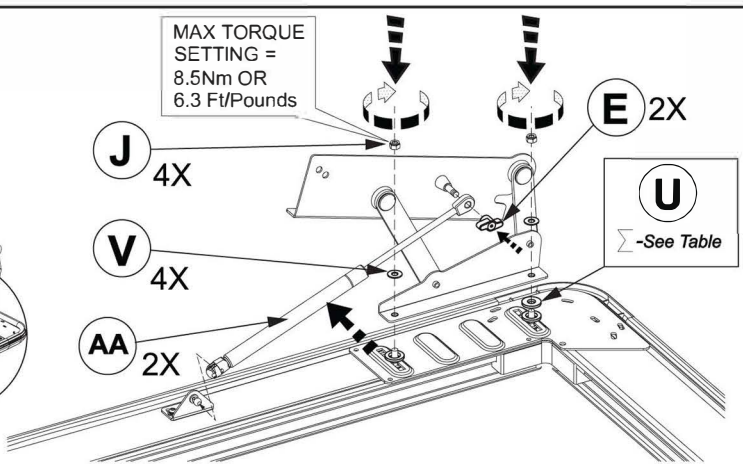
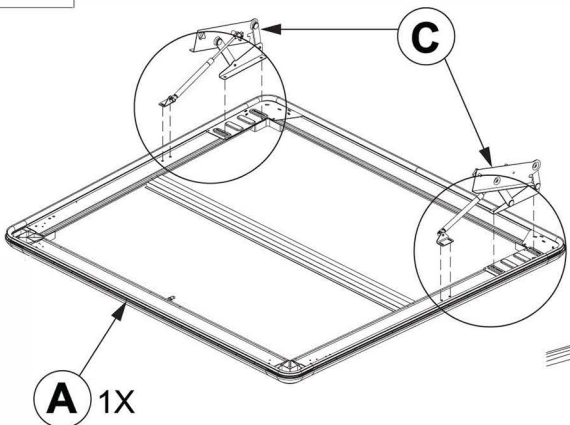
 DO NOT apply below 15°C.
Apply pressure to part. Adhesive is pressure activated.
Allow 3hrs minimum to cure before installing lid

8

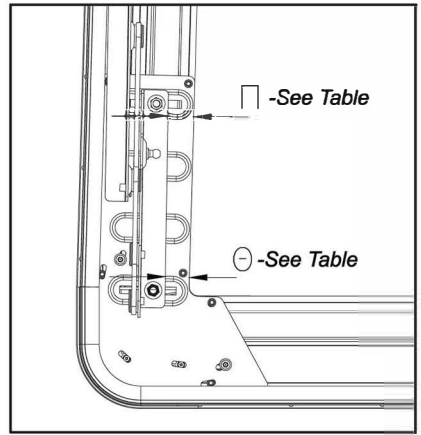


Fitting Kit Number	Product	Revision	Date	Page
KIT700-750RLBF	Upstone Lid	1		3 of 7

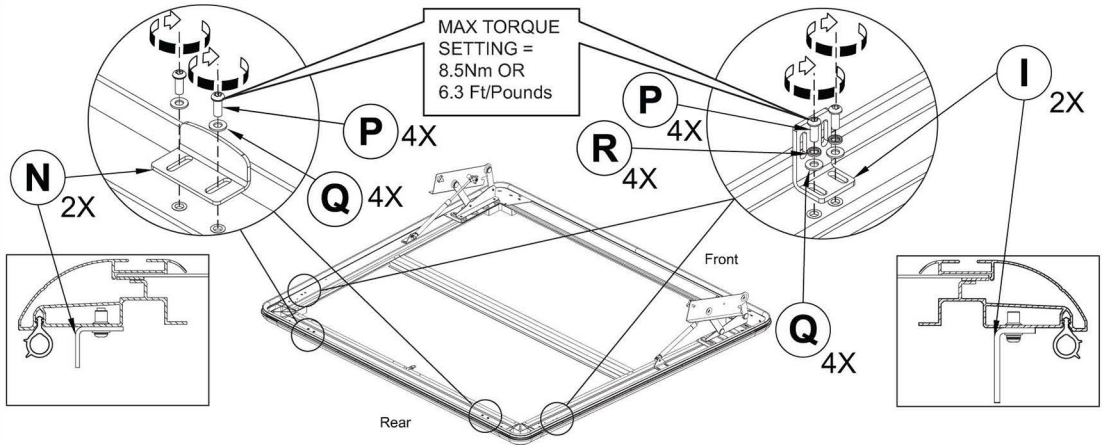
9



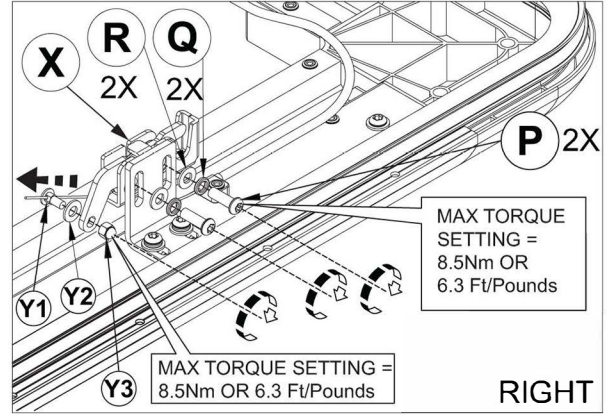
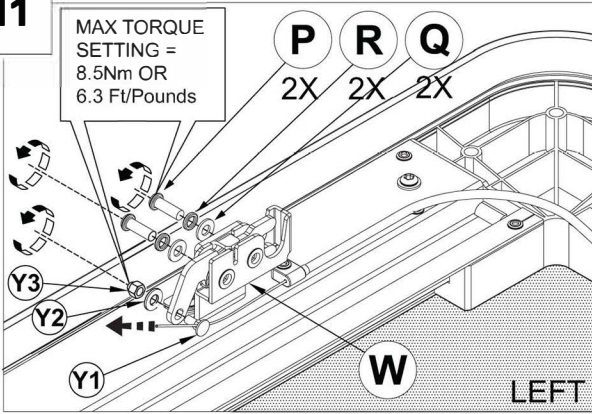
Vehicle Model	□	⊖	Σ
Isuzu D-Max Double & Extra Cab 2012 ATFS, ATFR	26mm	29mm	-



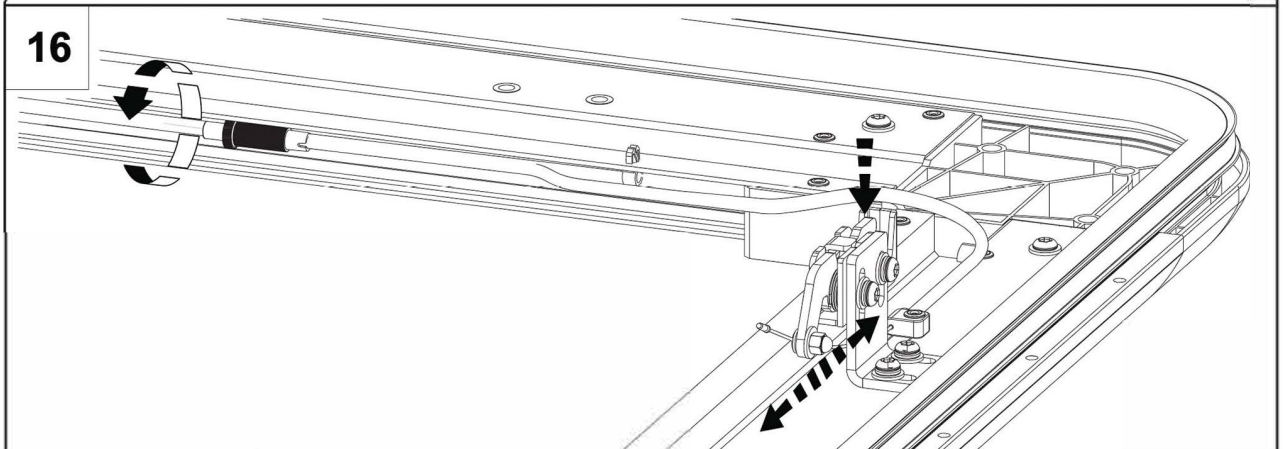
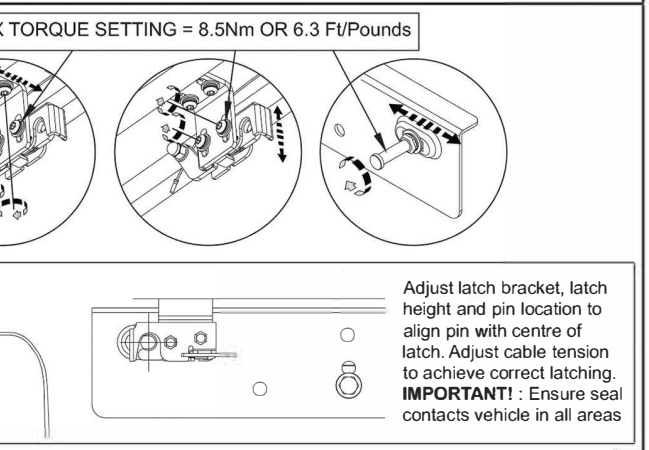
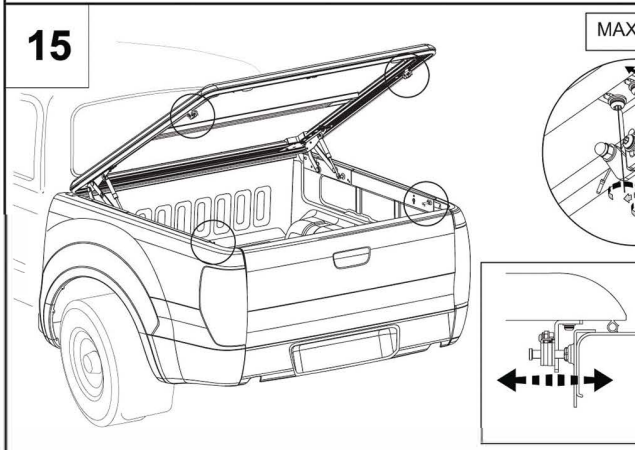
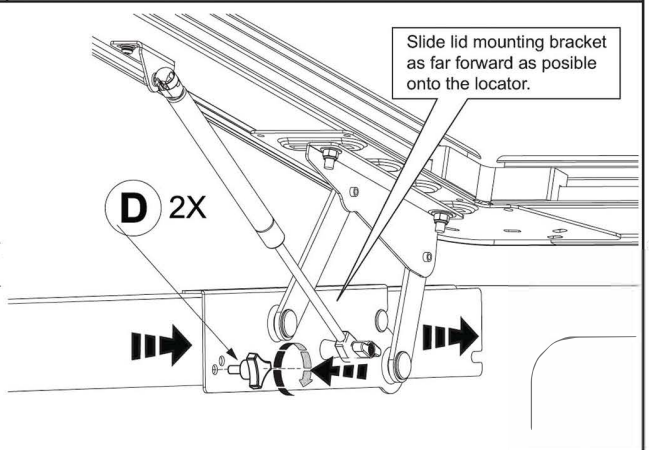
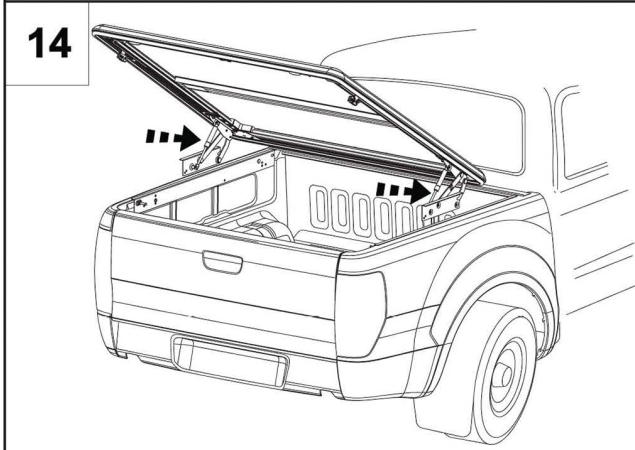
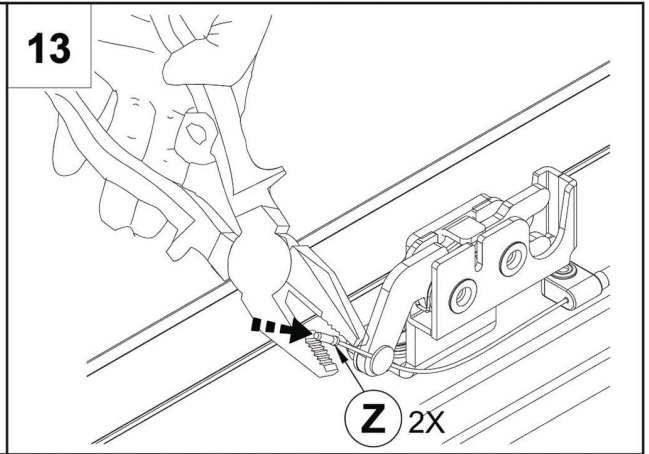
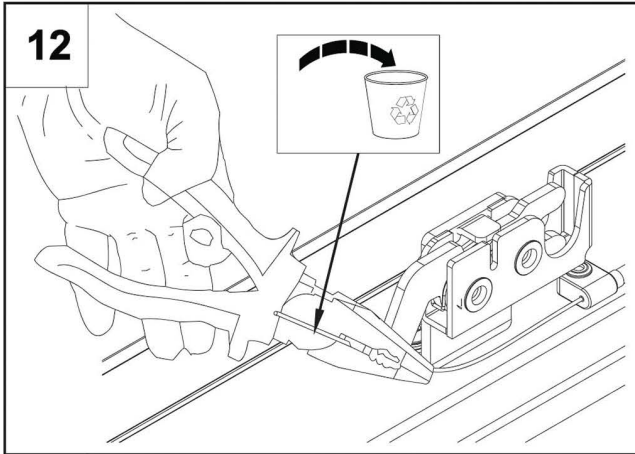
10



11



Fitting Kit Number	Product	Revision	Date	Page
KIT700-750RLBF	Upstone Lid	1		4 of 7

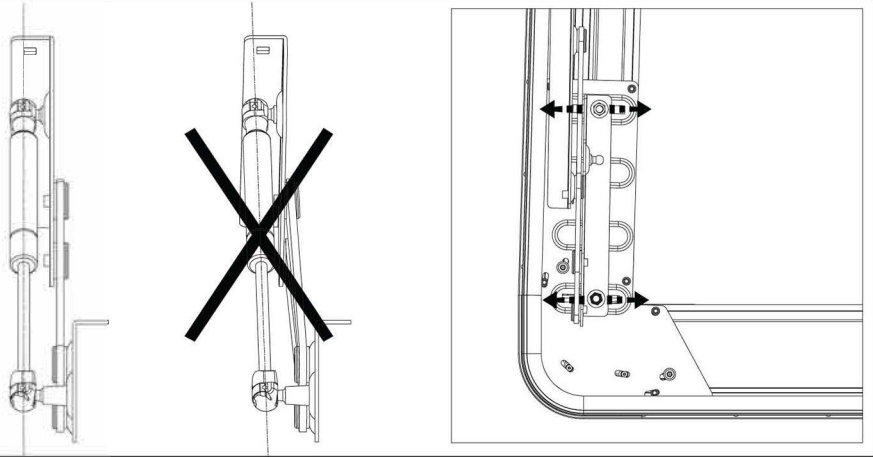


Fitting Kit Number	Product	Revision	Date	Page
KIT700-750RLBF	Upstone Lid	1	01.07.2016	5 of 7

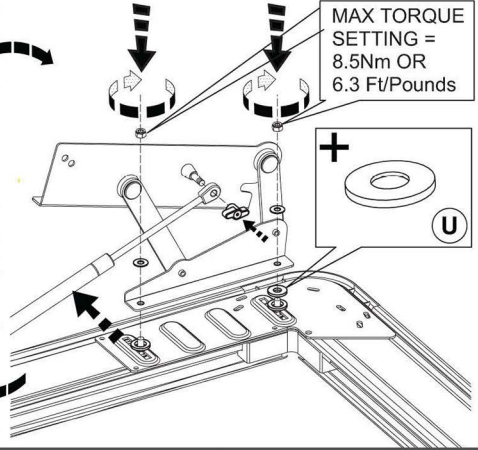
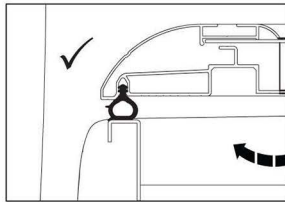
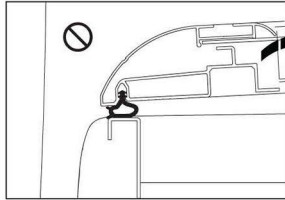
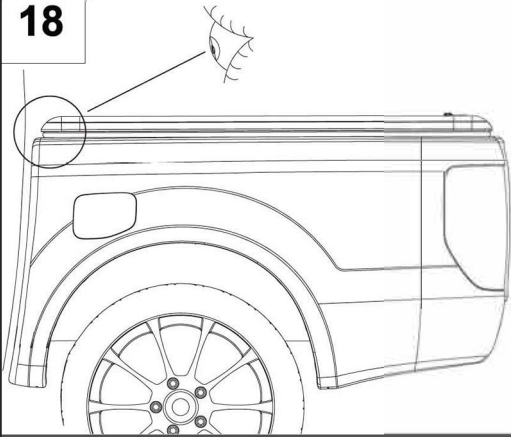
17



Insure hinge is not twisted.
Adjust connection to lid if nessessary.

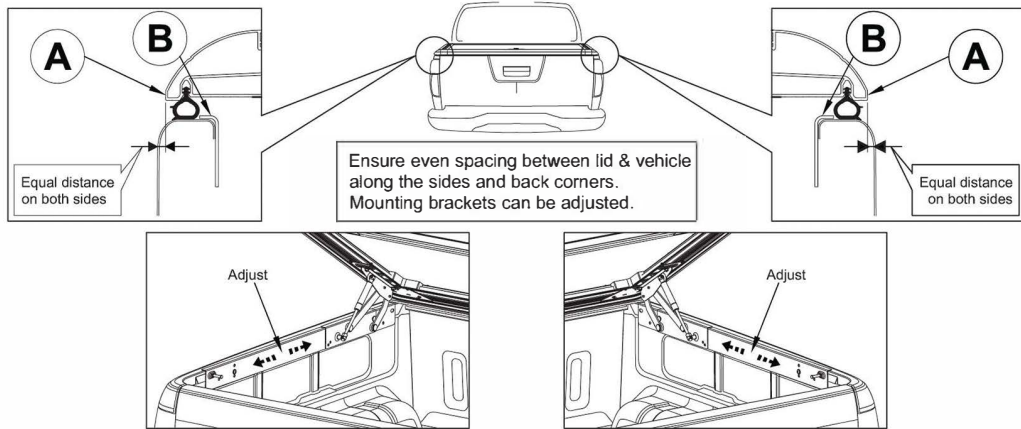


18



Fitting Kit Number	Product	Revision	Date	Page
KIT700-750RLBF	Upstone Lid	1		6 of 7

19



After installation carefully and thoroughly clean all debris from the inside of the cargo box.
Retain these instructions for future reference



CAUTION!

- NEVER allow people or animals under the closed cover
- Do not place unsealed solvents or chemicals under the cover
- Do not stand or place heavy objects on the cover
- Do not open lid when under load.
- Close the cover before operating the vehicle
- Do not allow oil, solvents or chemicals to contact the cover
- Clean only with a mild detergent and water solution

Fitting Kit Number	Product	Revision	Date	Page
KIT700-750RLBF	Upstone Lid	1		7 of 7

**ISUZU
NISSAN NAVARA
TOYOTA HILUX
VOLKSWAGEN AMAROK**



Item Code

Codice Articolo

: RUP/470/IX

Référence Article


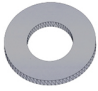
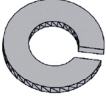
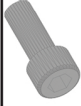

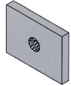


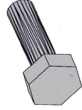
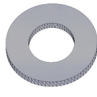
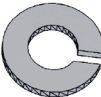
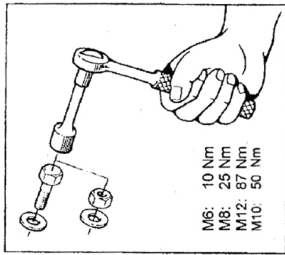
GB

STAINLESS STEEL
MEDIUM BAR

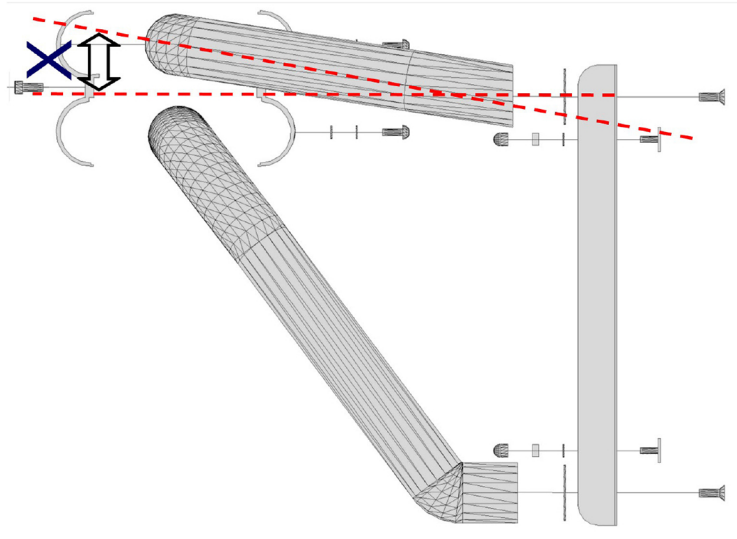
FR

**MEDIUM BAR
EN ACCIER INOX**

ISUZU, NISSAN NAVARA, TOYOTA HILUX, VOLKSWAGEN AMAROK

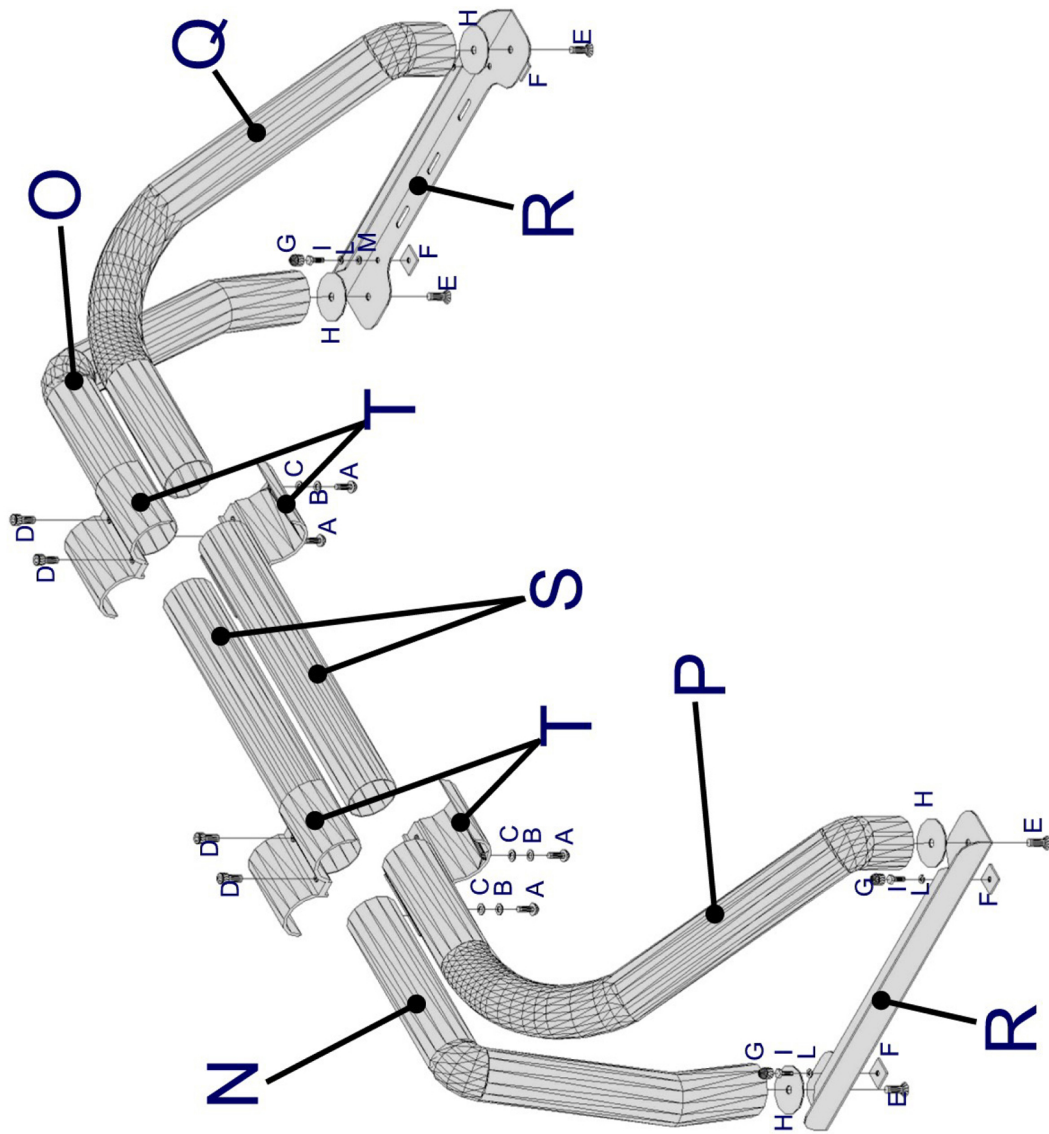
Part List					
Liste des pièces					
A	 TBCEI 8X25 x 4	 Ø 8 x 4	 C Ø 8 x 4	 TCEI 10X25 x 4	 TSPEI M10X25 x 4
F	 M6 x 4	 Cappelletti M 6 x 4	 H VIPLA Ø 80 x 4	 I TE 6X15 x 4	 L BIG Ø 6 GRAND x 4
M	 Ø 6 x 4	N AS7/SX x1	O AS7/DX x1	P PS7/SX x1	Q PS7/DX x1
R RLS/7TR x2	S RLB/06 x2	T RLB Ø76 x2			

ISUZU, NISSAN NAVARA, TOYOTA HILUX, VOLKSWAGEN AMAROK



WARNING: fit the N and O front bends as shown in the drawing

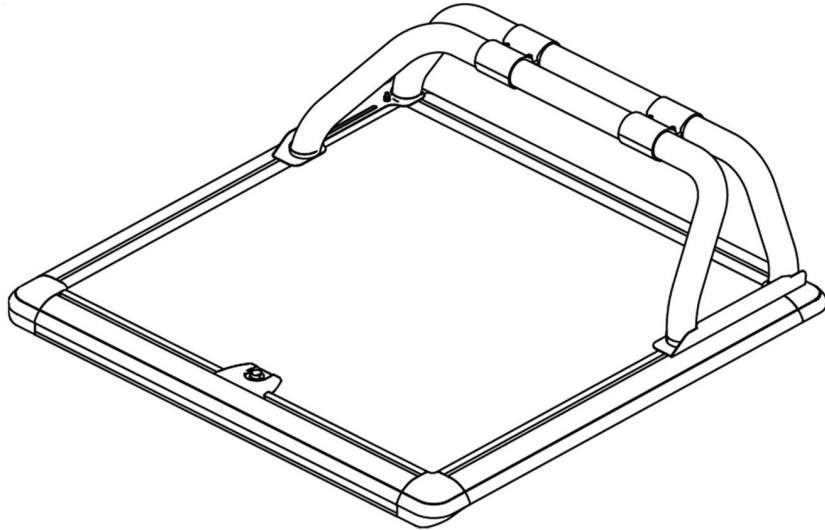
ATTENTION: monter les courbes antérieures N et O comme indiqué dans le dessin.



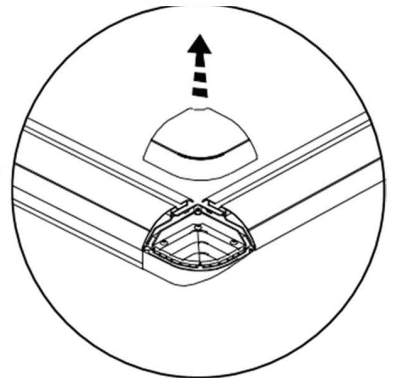
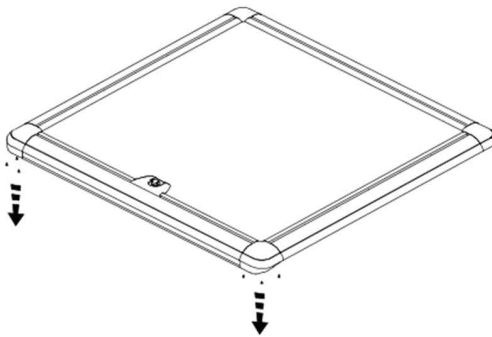
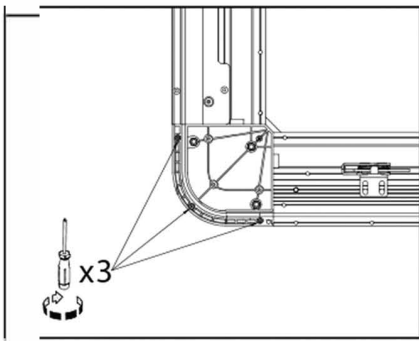
UpStoneEvolve

INSTALLATION INSTRUCTIONS WITH ROLL BAR

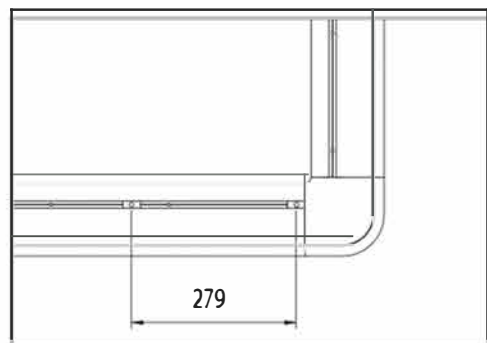
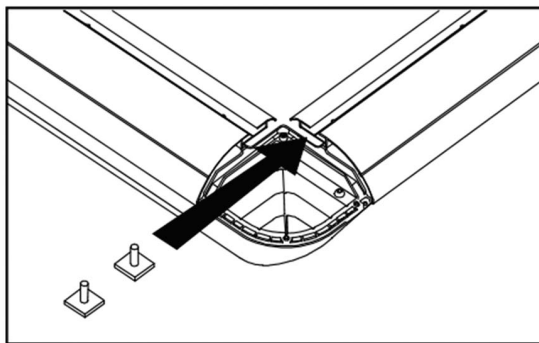
RLB76



- 1** Remove caps by unscrewing the 3 screws in the back corner both left and right.



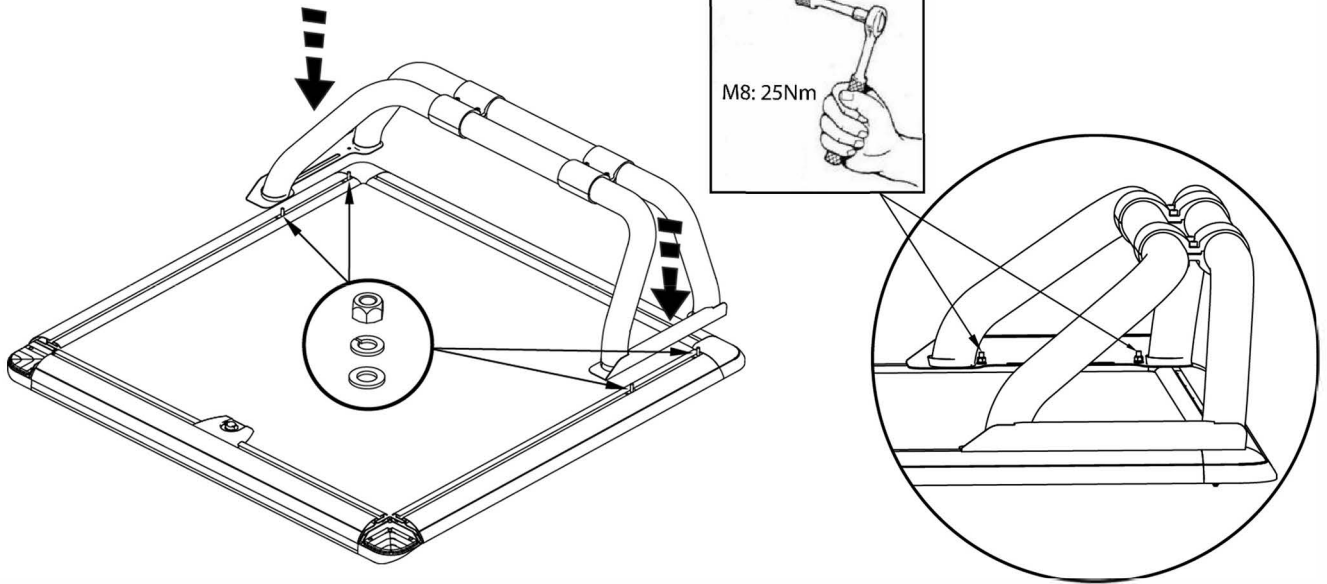
- 2** Insert 2 x Square bolts in both the left and right rails.



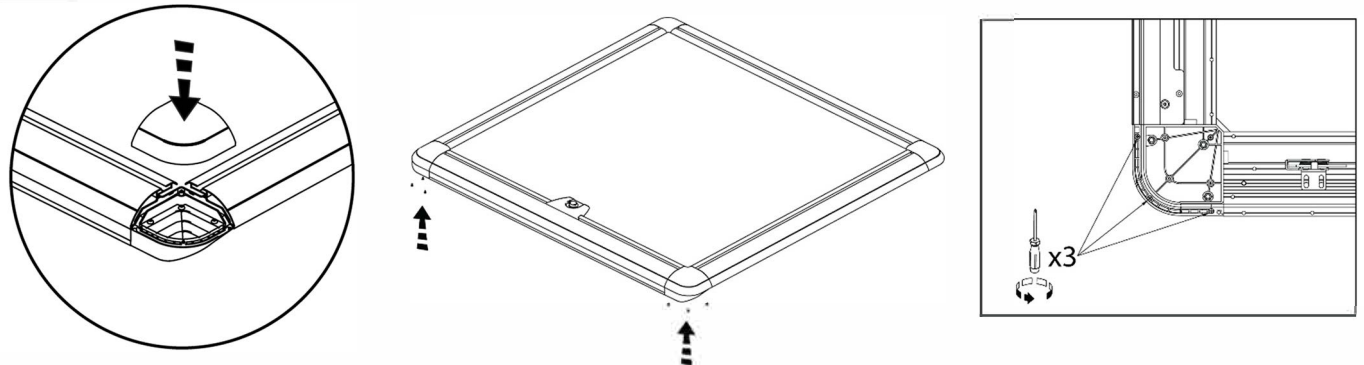
Fitting Kit Number	Product	Revision	Date	Page
KIT700-750RLBF	Medium SS Bar	1		

3

Place the sport bar onto the cover aligning the holes on the foot plate with the square bolts inserts.
Fix with nut, spring washer and washer.

**4**

Replace the caps on the covers corners



Fitting Kit Number	Product	Revision	Date	Page
KIT700-750RLBF	Medium SS Bar	1		

UpStoneEvolve

Info@upstone.fr